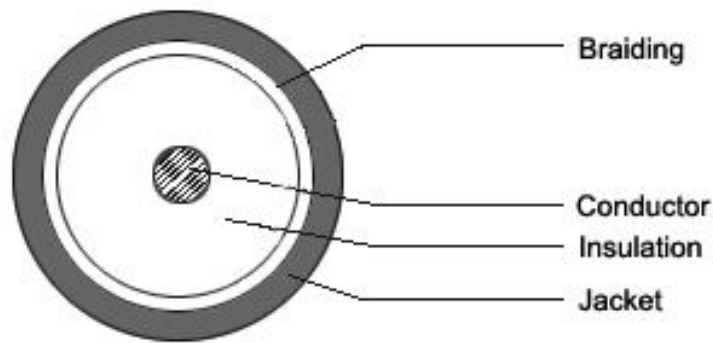


UNICA

RG 213 50Ohms Coaxial Cable



Description

Conductor:	Strand Bare Copper
Insulation:	Solid PE
Screen:	Braiding
Jacket:	PVC Material

Construction

Conductor:	Strand Bare Copper
Nom.Dia(mm):	7x0.75
Insulation:	Solid PE
Nom.Thickness(mm):	2.5
Insulation Dia.(mm):	7.28
Screen	
1st Screen:	Copper Wire
Nom.Dia(mm)xCarriers:	0.12mmx16x7
Coverage:	80%
Jacket:	PVC
Nom.Dia(mm):	10.3
Nom.Thickness(mm):	1.0

Performance

Electrical Characteristics(20C)

1.Conductor Resistance:	<6 Ohms/km
2.Resistance Unbalance:	<2.5%
3.Dielectric strength DC:	2000 V/1min
4.Insulation Resistance:	10000 MOhms-km
5.Impendace:	50 Ohms +/- 2
6.Mutual Capacitance:	<100.7 nF/km
7.Velocity of signal propagation:	66%

Physical Properties

1.Conductor tensil strength:	>3900 Mpa
2.Conductor Elongation:	>5 %

Attenuation(dB/100M)

50Mhz	4.4
100Mhz	6.4
150Mhz	8.1
200Mhz	9.4
450Mhz	15.5
700Mhz	19.8
900Mhz	22.9
1000Mhz	24.3