

ASQ single section wall mount enclosure

Features:

- Reversible 5mm toughened glass front door
- Welded frame, strong and stable structure
- Standing or wall mount installation, 4pcs feet available when standing
- Removable side panels, easy open to operate
- Easy and quick installation & maintenance
- Cable entry at top and bottom



Specifications:

- Material: SPCC cold rolled steel
- Thickness: Mounting rails: 1.5mm; others: 1.0mm
- Surface finishing: Degreasing, pickling, phosphoric, powder coated
- Static loading capacity: 50kgs

Standards:

- ANSI/EIA RS-310-D
- IEC60297-2
- DIN41494, PART1



Top



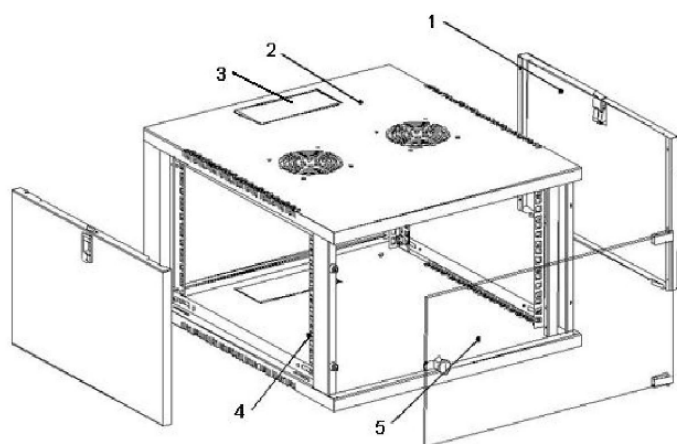
Frame



Stable structure

ASQ single section wall mount enclosure

Structure of cabinet



Front door options:

5-1: toughened glass door, with small round lock

5-2: metal plate door, with small round lock

5-3: perforated door, with spring lock

Other optional parts:

There are full sets of optional accessories, please find them in our accessories pages.

Main parts:

| S / N | Specification | Qty | Unit | Material | Surface finishing | Remark |
|-------|----------------------------------|-----|------|----------|-------------------|-----------------------|
| 1 | Side panels | 2 | pc | SPCC | Powder coated | --- |
| 2 | Frame | 1 | pc | SPCC | Powder coated | --- |
| 3 | Cable entry cover | 2 | pc | SPCC | Powder coated | --- |
| 4 | Mounting rails | 4 | pc | SPCC | Powder coated | --- |
| 5 | Toughened glass front door (1-1) | 1 | pc | Glass | --- | 5mm toughened glass |
| 6 | Feet | 4 | pc | --- | --- | --- |
| 7 | M6 screws and nuts | 20 | set | --- | --- | 10 sets for 12U lower |

Specifications:

| Model No. | Width (mm) | Depth (mm) | Capacity | Height (mm) | Assembled Volume (cbm) | |
|-----------|------------|------------|----------|-------------|------------------------|------|
| ASQ.5406 | 540 | 450 | 6U | 310 | 0.08 | |
| ASQ.5409 | | | 9U | 440 | 0.12 | |
| ASQ.5412 | | | 12U | 580 | 0.15 | |
| ASQ.5415 | | | 15U | 710 | 0.18 | |
| ASQ.5420 | | | 20U | 930 | 0.24 | |
| ASQ.5606 | | 600 | 600 | 6U | 310 | 0.12 |
| ASQ.5609 | | | | 9U | 440 | 0.16 |
| ASQ.5612 | | | | 12U | 580 | 0.21 |
| ASQ.5615 | | | | 15U | 710 | 0.26 |
| ASQ.5620 | | | | 18U | 930 | 0.32 |

Color options: Gray: Ral7035