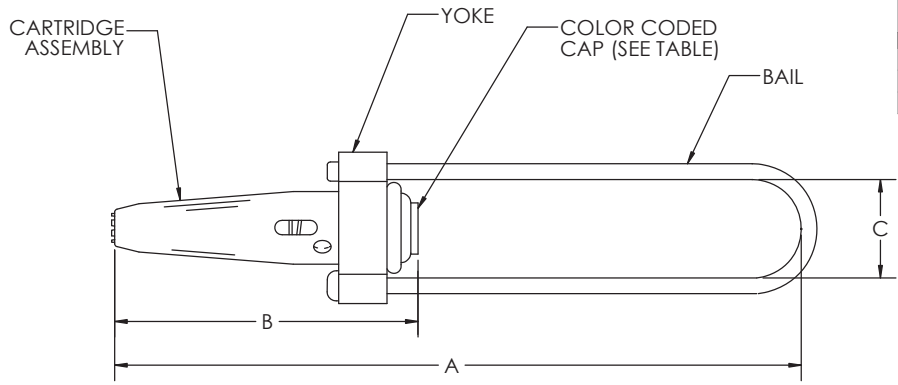


Catalog Number	A	B	C	Bail Type	Standard Pack
<b>3/16" Universal Grade - Wire Range = .145-.215 Cap = Red</b>					
5199	10.1	4.66	1.63	A	50
5255	12.8	4.66	2.75	E	25
5261	22.3	4.66	2.75	E	25
<b>1/4" Universal Grade - Wire Range = .215-.270 Cap = Yellow</b>					
5200	10.4	4.88	1.63	A	50
5250	13.9	4.88	2.25	B	50
5200L	13.9	4.88	1.63	C	50
5262	22.6	4.88	2.75	E	25
5268	28.6	4.88	2.75	E	25
<b>5/16" Universal Grade - Wire Range = .270-.315 Cap = Black</b>					
5201	10.7	5.38	1.63	A	50
5251	14.0	5.38	2.25	B	50
5201L	15.8	5.38	1.63	C	50
5257	14.1	5.38	2.75	E	20
5263	23.4	5.38	2.75	E	25
5269	29.7	5.38	2.75	E	20
<b>3/8" Universal Grade - Wire Range = .325-.392 Cap = Orange</b>					
5202	12.9	6.47	2.00	A	25
5252	15.1	6.47	2.25	B	25
5202L	18.0	6.47	2.00	C	25
5264	25.0	6.47	2.75	E	20
5270	31.0	6.47	2.75	E	20
<b>7/16" Universal Grade - Wire Range = .392-.455 Cap = Green</b>					
5203	14.8	6.72	2.00	A	25
5253-6	17.3	6.72	2.75	D	25
5203L	21.0	6.72	2.00	C	25
<b>1/2" Universal Grade - Wire Range = .455-.520 Cap = Blue</b>					
5204	16.3	7.09	2.00	A	20
5254	17.5	7.09	2.00	B	20
5254-6	17.4	7.09	2.75	D	20
5204L	20.5	7.09	2.00	C	20

This drawing contains confidential information that is the property of MacLean Power, L.L.C. ("MacLean"). Use of MacLean's confidential information without MacLean's express written consent is strictly prohibited and may expose you to legal liability. If you believe that you received this material in error, please destroy it or return it to "MacLean Power, L.L.C., 481 Munn Rd, Suite 300, Fort Mill, SC 29715 USA."



PAPER SIZE	CATALOG NUMBER		
<b>B</b>	<b>GD-STRANDVISE</b>		
REV	REVISED BY	REVISION DATE	ECO #
A		03-13-13	10834
B	RHJ	05-15-14	11288
C	BTS	09-15-14	11446

Catalog Number	A	B	C	Bail Type	Standard Pack
<b>3/16" All Grades - Wire Range = .185-.193 Cap = Red</b>					
5099	8.1	2.97	1.63	A	50
<b>1/4" All Grades - Wire Range = .140-.215 Cap = Yellow</b>					
5100	9.6	3.94	1.63	A	50
5150	12.8	3.94	2.25	B	50
5100L	13.1	3.94	1.63	C	25
<b>5/16" All Grades - Wire Range = .310-.335 Cap = Black</b>					
5101	9.9	4.37	1.63	A	50
5151	13.1	4.37	2.25	B	50
5101L	14.9	4.37	1.63	C	25
<b>3/8" All Grades - Wire Range = .360-.405 Cap = Orange</b>					
5102	11.9	5	1.63	A	50
5152	13.8	5	2.25	B	50
5152-6	13.5	5	2.875	D	25
5102L	17.0	5	1.63	C	25



- NOTES:
- ALL DIMENSIONS ARE REFERENCE AND IN INCHES.
  - MATERIALS: YOKE-ALUMINUM, BAIL-STAINLESS STEEL

CARTRIDGE ASSEMBLY MATERIAL:  
 TUBING: ALUMINUM ALLOY  
 JAWS: CHROMATE PLATED STEEL  
 PILOT CUP: PLATED STEEL  
 WASHER: PLATED STEEL



DRAWING NUMBER:	
<b>GD-STRANDVISE</b>	
SHEET NAME:	<b>Layout1</b>
DRAWING DESCRIPTION:	UNIVERSAL STRANDVISE
DESIGN DATE:	03-13-13
DRAWN BY:	JBB
ECO #	1 OF 1